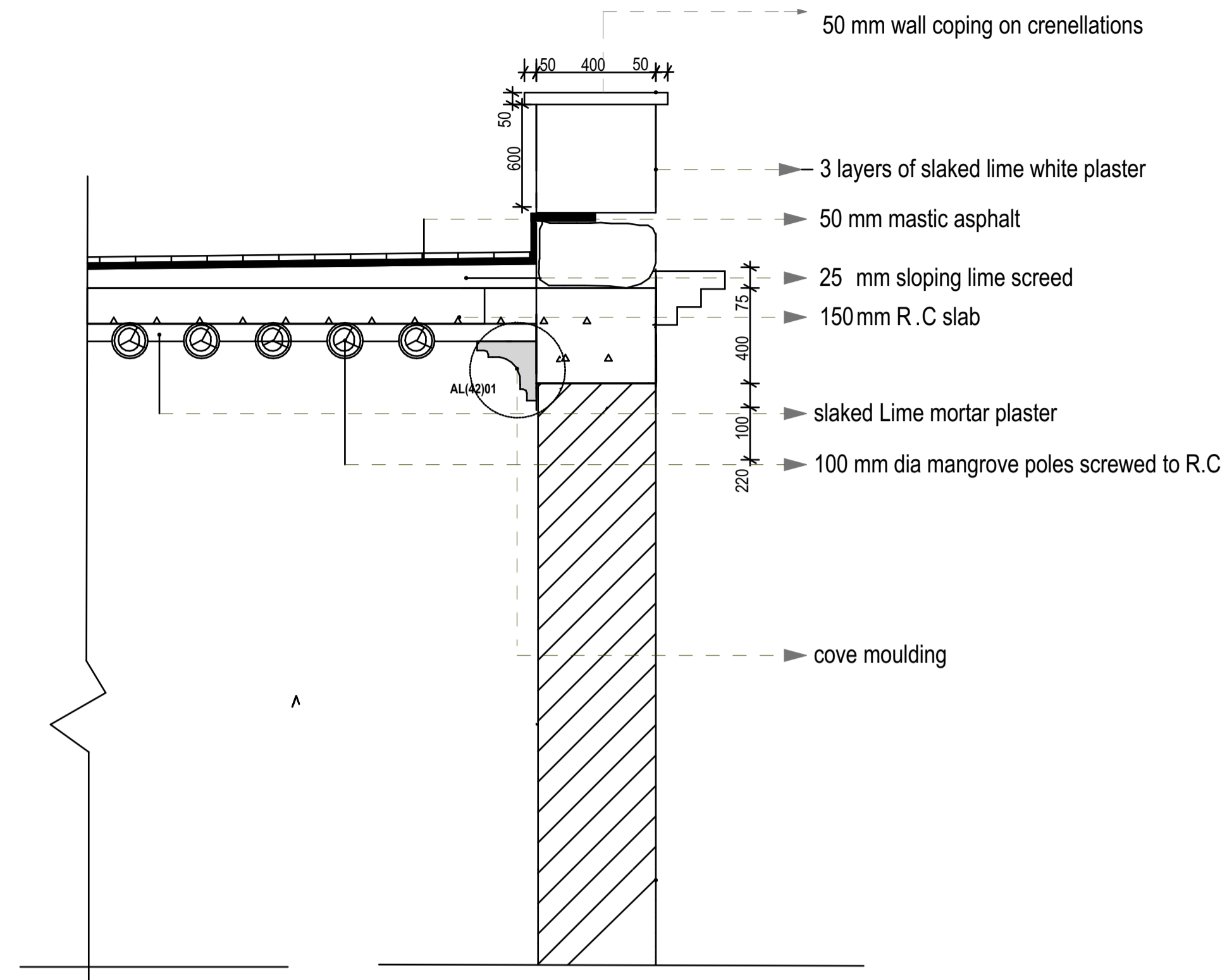
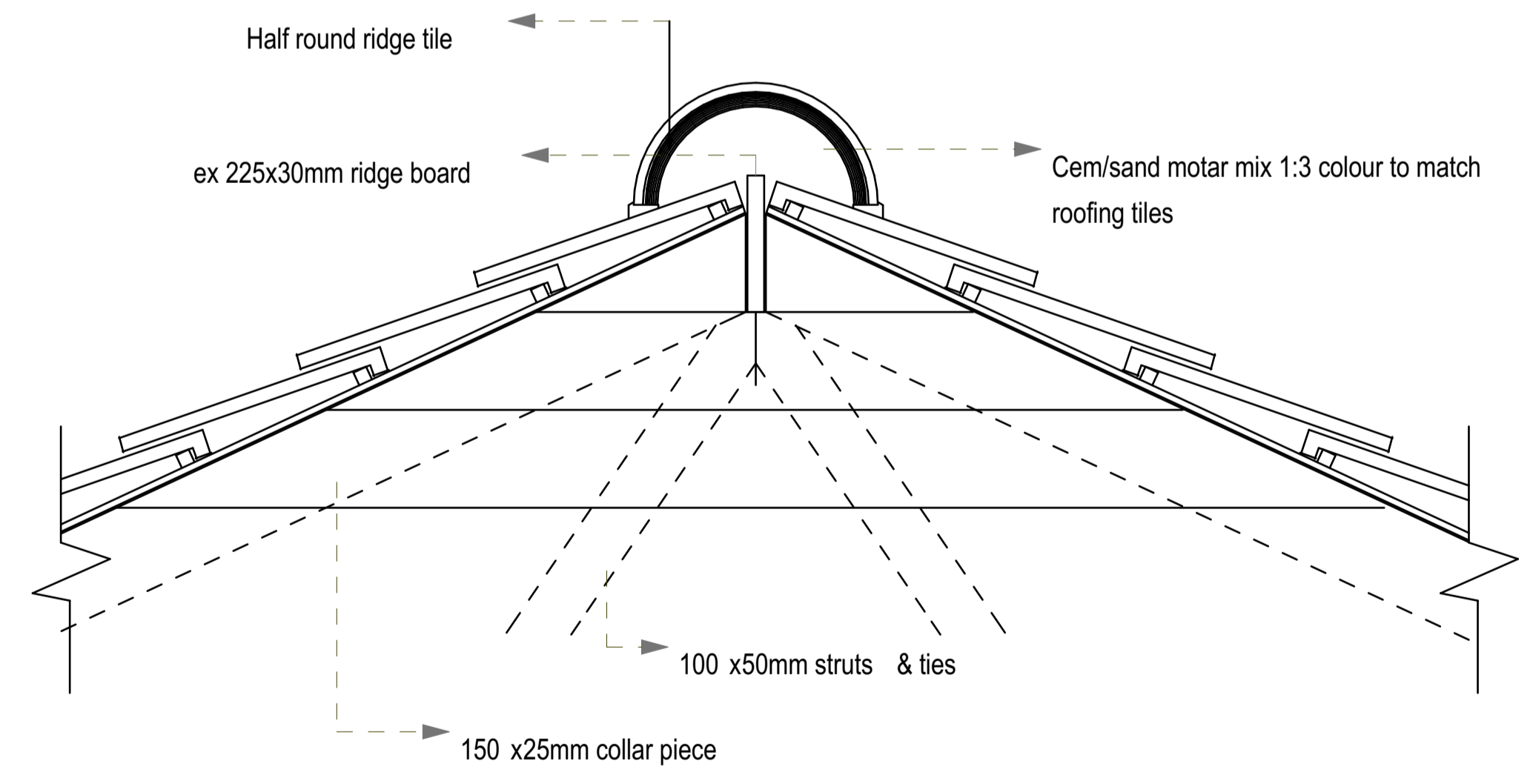


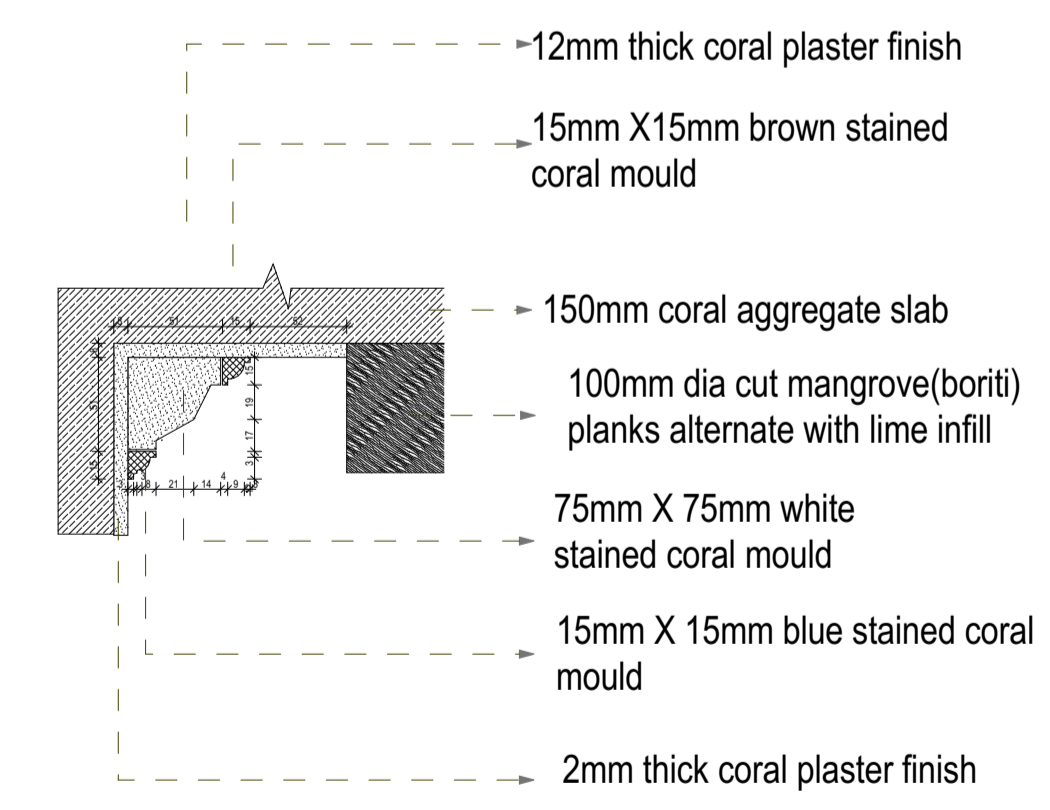
SECTION : AL(27)01
SCALE 1:20
Gutter detail



SECTION : AL(27)02
SCALE 1:20
Flat Roof detail



SECTION : AL(27)03
SCALE 1:20
Ridge detail



SECTION : AL(42)01
SCALE 1:2
Cove detail

NOTES

GENERAL

- Drawings not to be scaled. Only figured dimensions to be used.
- All dimensions are shown in mm unless otherwise stated.
- p.v denotes permanent vent.

STRUCTURAL WORKS

- Depths of foundations to be determined on site to S.E.'s Approval.
- For R.C works refer to S.E detail
- All adjacent R.C works and masonry to be tied with strap iron at alternate course
- All walls less than 150 mm thick to be reinforced with hoop wrought iron at every alternative course

CIVIL WORKS

- All slabs at the ground level to be poured over 100 gauge polythene sheeting on 50mm stone blinding on hardcore.
- All soils under slabs to be treated to termite control.
- All soils on cut embankments to be stabilised. The slope should not exceed natural angle of repose

MECHANICAL

- SVP denotes soil vent pipe to be provided at the head of drainage
- Drains passing beneath buildings and driveways to be encased in 150 mm concrete surround
- All underground foul and waste drain pipes to be class 41 golden brown pvc pipe
- Minimum slope on the drain to be 1%
- All mechanical work to be coordinated with electrical and any conflicts be clarified before work begins

ELECTRICAL

- All conduits must be laid before plastering.

FINISHES SCHEDULE

1. Floor Finishes

- 400mmx200mmx30mm granito tiles on 1.4 mortar mix laid on cement sand screed. total slab thickness=200mm
- 6mm 3 layers of thick lime/sand screed, .50% coral chips with 23x3 mm dividing strips set off to architects approval
- 6mm thick polished terrazzo laid in-situ with 50% chips 25mmx3mm dividing strips.
- 20mm thick random cut mazeras stone on cement sand screed.
- 300x300x10mm thick glazed white non-slip ceramic floor tiles.
- Ex 50 X 75 mm mvule floor boards finished to Architects approval.
- Approved 200 X65 X20mm mahogany parquet flooring in approved pattern laid with adhesive on 20mm 1:4 lime sand screed.

2. Wall finishes

- 12 mm thick lime wash coat on coral stone, treated with waterproofing admixture coats applied to manufacturers specifications
- Moulded mangrove(boriti) railing up to 1200mm above finished floor level.
- 300x300x10 mm thick ceramic tiles to 2100 mm above finished floor level, 3 coats limewash from 2400 mm height to cornice.
- Coral lime plaster finish containing egg white (2 to 3 coats)
- Emulsion paint.
- 900mm high mvule balustrades with swahili decorations with three coats of polyurethane clear lacquer finish to Architect's approval

3. Skirting finishes

- 100 mm high 25 mm lime sand screed.
- 100x200 mm mahogany wood skirting on plugged sand, coated with clear lacquer polish.
- 100x100 ceramic tiles.
- 150mm high polished in-situ terrazzo
- ex. 150mmx25mm thick mvule nailed on wall.
- 100mm high 20mm mazeras on cement and sand screed
- 150mm high granito tiles

4. Ceiling finishes

- 9mm first coat 1:4 lime/sand screed and 3mm second coat of lime plaster, smooth trowelled on structural slab.
- Painted waterproofed rough cast lime finish
- Mahogany timber strips T&G
- Emulsion paint.
- 25mm thick suspended gypsum ceiling board and plaster on lime soffit
- Rectangular cut mangrove(boriti) planks alternate with lime infill.

REVISIONS		
NO	DATE	DESCRIPTION

LEGEND

PROJECT TITLE: TOURIST INFORMATIONAL CENTRE - MAMBRUI

JOB NUMBER: 07/2016

DRAWING TITLE: GUTTER DETAILS

DRAWING BY: MUREITHI LEAH NJERI

DATE: 3/2016

DRAWING NATURE: WORKING DRAWINGS

PAPER SIZE: A1 (LANDSCAPE)

SCALE: 1:N/A

SHEET NUMBER: 15